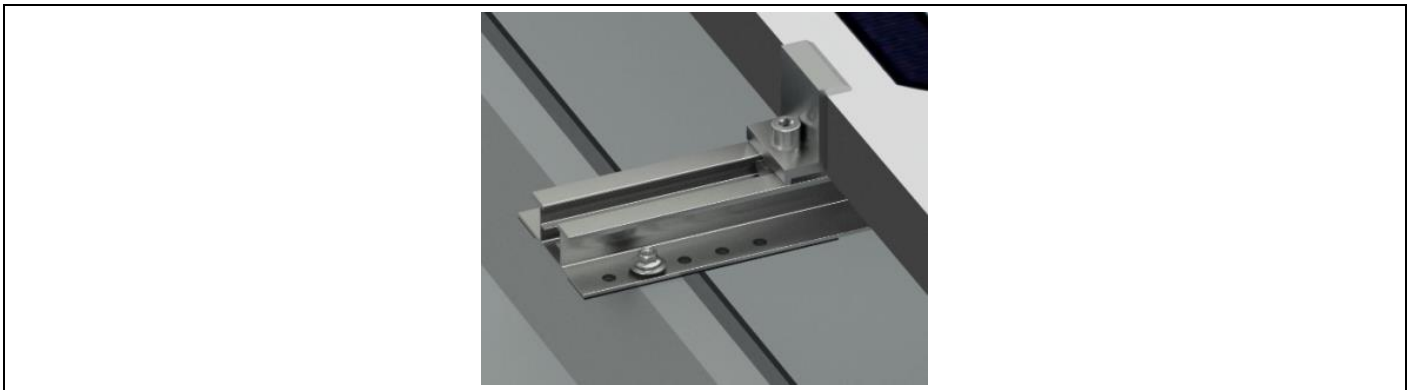


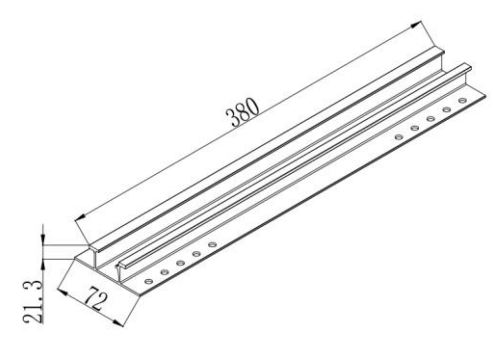
Mycro Rail, 380mm



Component



Technical Specification

| | | |
|---------------|---|--|
| Application | Trapezoidal Roof |  |
| Fixing method | Fixed on the Metal roof with Self-drilling screw | |
| EPDM | Pre-fitted (1mm thickness) | |
| Dimensions | L380mm*W72mm*H21.3mm | |
| Weight | 0.264 Kg | |
| Packaging | 72 units per carton | |
| Material | Main parts: AL6005-T5 Rubber Pad: EPDM | |
| Color | Silver | |
| Finish | Anodized (no less than 10 µm, excluding machined surfaces) | |
| Standard | GB50797 AS NZS1170.2-2011 EN1991 JISC8955 ASCE 7-10 | |