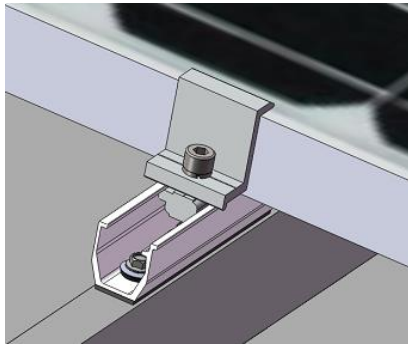
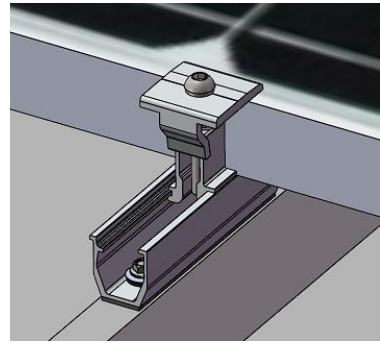


U Support

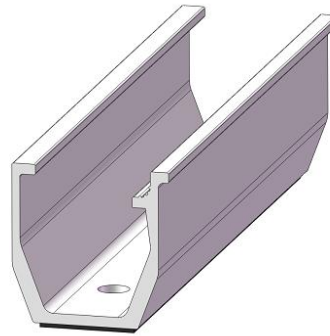


Install with standard clamp



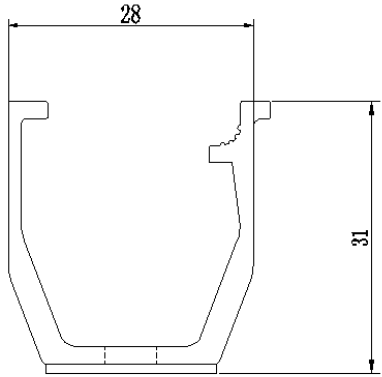
Install with Akashi clamp

Component



U Support
Part No.: ER-S-U/120 (barcode: 10-001-00198)

Technical Specification

Application	Trapezoidal Roof	
Roof pitch	From 3° to 45°	
Roof Sheet thickness	Aluminum: 0.5 – 2.0 mm Steel: 0.5 – 1.25 mm	
Fixing method	Fixed on the Metal roof with 3 Self-drilling screws	
EPDM	Pre-fitted (1mm thickness)	
Dimensions	L120mm*W28mm*H31mm	
Weight	0.062 Kg	
Packaging	80 units per pack, 4 packs (320 units) per carton	
Material	Main parts: AL6005-T5 Rubber Pad: EPDM	
Color	Silver	
Finish	Anodized (no less than 10 μm, excluding machined surfaces)	
Standard	BS EN1991-1, BS EN1991-3 and BS EN1991-4	