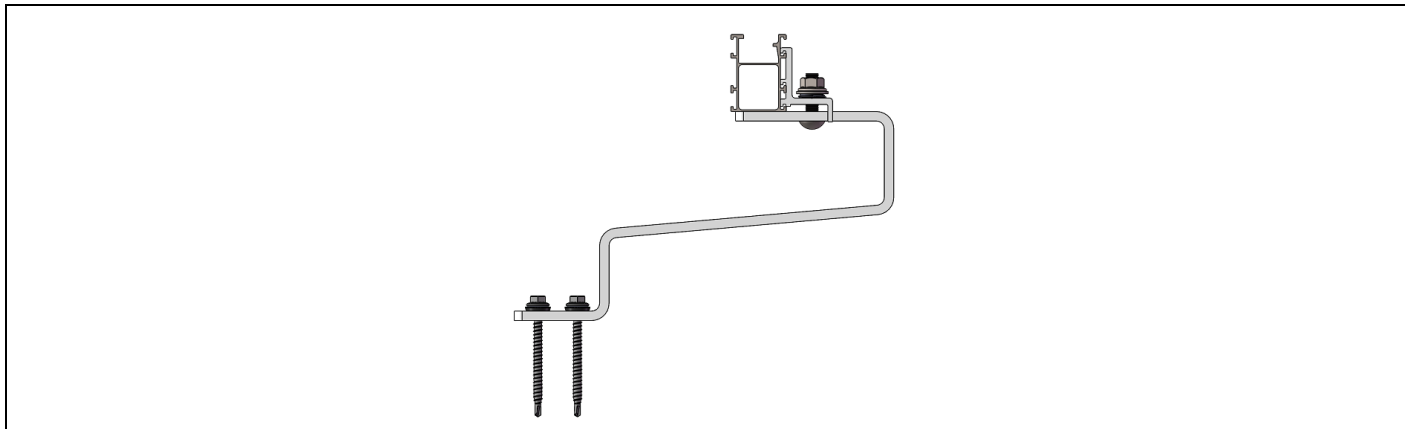
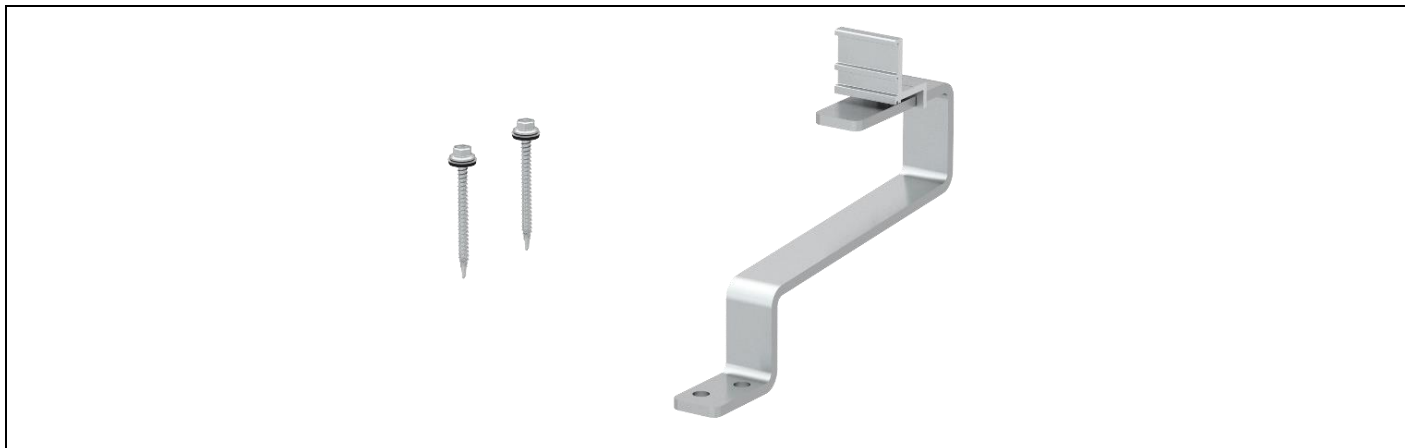


Flat Tile Interface

Assembly

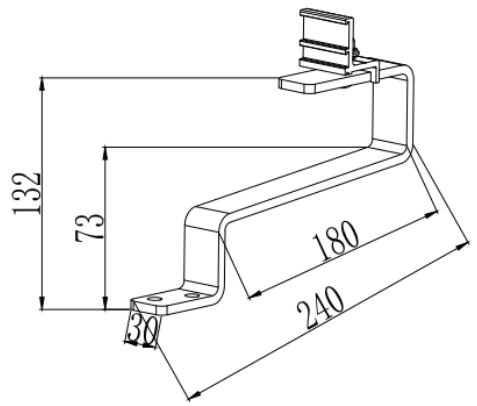


Component



Flat Tile Interface for Tegalit roof with 6.3x70 Buildex Screw
Part No.: ER-I-PRO/07 (bar code: 12-003-00063)

Technical Specification

Application	Slate/ plain tile roof on timber Rafter	
Screw Specification	2 x Buildex 14-11 x 70 (14 gauge, 6.3 mm, 11 TPI, 70 mm long) screw with 16 mm Aluminum Bonded Washer	
Roof pitch	From 15° to 60°	
Dimensions	L240*W30*H132mm	
Weight	0.733 kg	
Packaging	12 units per pack, 2 packs (24 units) per carton	
Material	Roof Hook: SUS304 Bolts/Washer/Nuts/Spring: SUS304 ezClip: AL6005-T5	
Standard	BS EN1991-1, BS EN1991-3 and BS EN1991-4	